

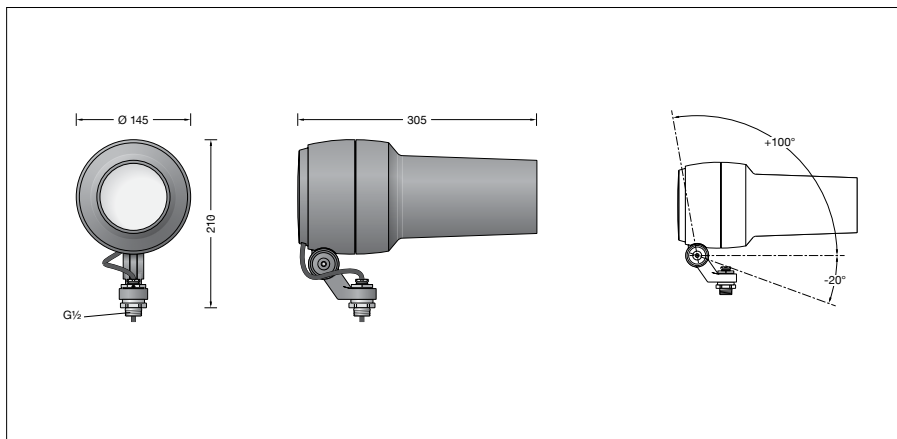
BEGA**84 976**

Gobo floodlight



Project · Reference number

Date



Product data sheet

Application

Floodlights with G $\frac{1}{2}$ threaded connection for the projection of Gobo motifs.
Suitable for Gobo motifs in accordance with Rosco default size E.
The floodlight can be bolted together with any female thread G $\frac{1}{2}$ according to ISO 228 supplied by others or to BEGA accessories.

Lamp

Module connected wattage	21.6 W
Luminaire connected wattage	24 W
Rated temperature	$t_a = 25^\circ\text{C}$
Ambient temperature	$t_{a\text{max}} = 45^\circ\text{C}$

On request we can offer you modifications for environments with higher temperatures as a customized product.

84 976 K3

Module designation	LED-1145/930
Colour temperature	3000 K
Colour rendering index	CRI > 90
Module luminous flux	2770 lm
Luminaire luminous flux	334 lm
Luminaire luminous efficiency	13,9 lm/W

84 976 K4

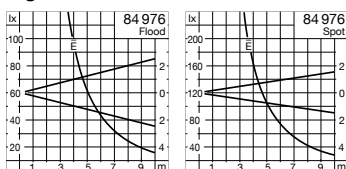
Module designation	LED-1145/940
Colour temperature	4000 K
Colour rendering index	CRI > 90
Module luminous flux	2910 lm
Luminaire luminous flux	350 lm
Luminaire luminous efficiency	14,6 lm/W

Service life · Ambient temperature

Rated temperature $t_a = 25^\circ\text{C}$	
LED psu:	> 50,000 h
LED module:	150,000 h (L80B50)

Ambient temperature max. $t_a = 45^\circ\text{C}$ (100 %)

LED psu:	50,000 h
LED module:	90,000 h (L80B50)
	100,000 h (L70B50)

Light distribution**Product description**

Luminaire made of aluminium alloy, aluminium and stainless steel
BEGA Unidure® coating technology
Clear safety glass
Silicone gasket
Projector lens with adjustable glass lenses.
Suitable for Gobos with an outer diameter of 37,5 mm, a max. image diameter of 28 mm and a material thickness of max. 1 mm
Rotation range of floodlight 350°
Swivel range $-20^\circ/+100^\circ$
Mounting bracket with G $\frac{1}{2}$ threaded connection
Thread length: 14 mm
Connecting cable X05BQ-F 5G 1 mm²
Cable length 1 m
BEGA Ultimate Driver®
Complies with flicker requirements in accordance with IEEE 1789, DIN IEC/TR 63158, DIN IEC/TR 61547-1
LED power supply unit
220-240 V \sim 0/50-60 Hz
DC 176-276 V
DALI-controllable
Number of DALI addresses: 1
Basic insulation is provided between the mains and control cables
BEGA Thermal Control®
Temporary thermal regulation to protect temperature-sensitive components without switching off the luminaire
Safety class I
Protection class IP 65
Dust-tight and protection against water jets
Impact strength IK06
Protection against mechanical impacts < 1 joule
 – Safety mark
 – Conformity mark
Wind catching area: 0.04 m²
Weight: 2.8 kg
This product contains light sources of energy efficiency class(es) F

Inrush current

Inrush current: 1.2 A / 46 μs
Maximum number of luminaires of this type per miniature circuit breaker:
B 10A: 50 luminaires
B 16A: 80 luminaires
C 10A: 50 luminaires
C 16A: 80 luminaires

Lighting technology

Beam angle $14^\circ-30^\circ$
Luminaire data for the light planning program DIALux for outdoor lighting, street lighting and indoor lighting, as well as luminaire data in EULUMDAT and IES format are available on the BEGA website at www.bega.com.

Gobo motifs

Gobos made of metal or glass for insertion into the luminaires are not part of the scope of delivery.

You can find or individually order a large selection of Gobo motifs or have them customised to your specifications in the corresponding sizes at www.emea.rosco.com.
When placing an order, please enter the BEGA article number 84 976 as a reference.
For Gobo masks with text or logos, we recommend a maximum image width of 24 mm.

Accessories

70 214	Pole cap for pole top $\varnothing 48$ mm
70 248	Pole cap for pole top $\varnothing 60$ mm
70 249	Pole cap for pole top $\varnothing 76$ mm
70 229	Pole cap for pole top $\varnothing 82$ mm
71 042	Adapter for installation on a pole
70 379	Cross beam
70 221	Mounting box for anchorage unit
70 217	Mounting box $\varnothing 110$ mm
70 294	Mounting box $\varnothing 130$ mm
70 284	Mounting box $\varnothing 150$ mm
70 245	Mounting box · rectangular

For the accessories a separate instructions for use can be provided upon request.

Article No. 84 976

LED colour temperature optionally 3000 K or 4000 K
3000 K – Article number + **K3**
4000 K – Article number + **K4**

Colour graphite or silver
graphite – article number
silver – article number + **A**